



Logic Combi ESP1

24 30 35



Flexible warranties available,
2 years as standard



Compact
cupboard fit



Easy to see
pressure gauge



Touch RF &
Touch Connect
Compatible



NOx class 6



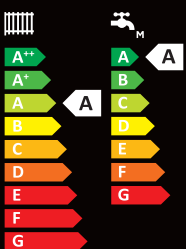
Frost protection



Easy to use fully
back-lit LCD
display



Fast fix flues



Features & specification

QUALITY AND RELIABILITY AS STANDARD

- Low component count maximising reliability
- Latest generation Honeywell gas valve
- Simple diverter valve design with no dynamic seals
- Ideal System Filter compatible

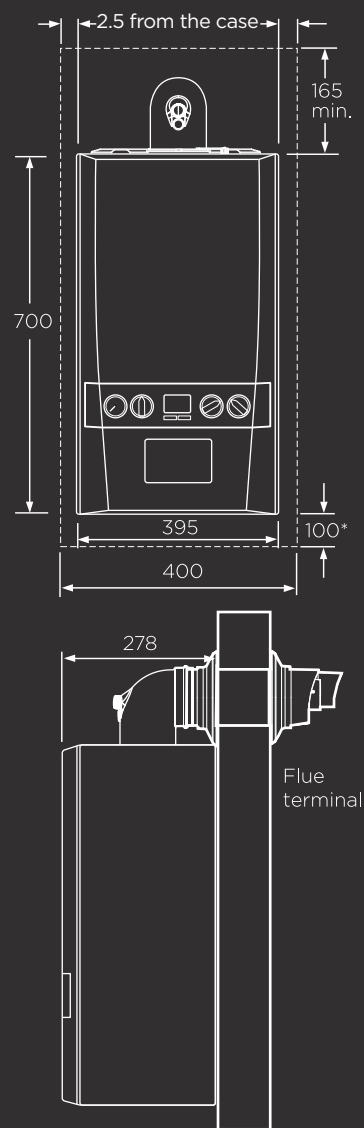
END USER BENEFITS

- Award winning range
- Service indication
- Symbols and text display
- Compatible with a range of additional controls inc. weather compensation and OpenTherm controls
- LPG conversion kit available for 30 & 35 kW boilers

EASY TO INSTALL AND SERVICE

- Low boiler lift weight from 28.9kg
- Compact cupboard fit
- Easy to see pressure gauge
- Universal condensate connection
- Stand-off kit and pre-pipe options
- Wide range of flueing options
- Preformed copper tails
- Pre-wired mains lead
- Built-in filling loop
- Achieves improved SAP and DER performance
- Service timer feature

Clearances & dimensions



Dimensions in mm.

Technical specification

LOGIC COMBI ESP1 MODELS	24 ESP1	30 ESP1	35 ESP1
Weight (packaged) kg	33.7	33.8	33.9
Max installation weight kg	28.9	29.0	29.1
CH output (kW) min/max mean 70°C	4.8 - 24.2	6.1 - 24.2	7.1 - 24.2
CH output (kW) min/max mean 40°C	5.1 - 25.6	6.4 - 25.6	7.5 - 25.6
DHW output (kW) max	24.2	30.3	35.3
DHW flow rate l/min. 35°C rise	9.9	12.4	14.5
SEDBUK rating (2005) %	91.1	91.1	91.1
SEDBUK rating (2009/2012) %	89.6	89.6	89.6
NOx classification	CLASS 6	CLASS 6	CLASS 6
Convert to LPG	No	Yes	Yes
Max horizontal flue	9m	8m	6m
Max vertical flue	7.5m	7.5m	7.5m
Powered vertical flue	22m	22m	22m
Seasonal space heating efficiency class	A	A	A
Seasonal space heating energy efficiency η_s %	94	94	94
Sound power level, indoors L _{WA} dB	48	46	44
Water heating energy efficiency class	A	A	A

T: 01482 492251 E: ideal@idealboilers.com

Ideal Boilers, PO Box 103, National Avenue, Kingston upon Hull, East Yorkshire, HU5 4JN.

Clearances & dimensions note: The minimum front clearance when built into a cupboard is 5mm from the cupboard door but 450mm overall clearance with the cupboard door open is required for servicing.
*Bottom clearance after installation can be reduced to 5mm. However, 100mm is required for servicing.