



LOGIC SYSTEM.

15 18 24 30

HIGH EFFICIENCY SYSTEM BOILERS

The Logic system range of appliances from Ideal provide a simple and reliable solution for a wide variety of sealed domestic systems.



LOGIC SYSTEM

- Digital display and simple diagnostics
- Fully modulating operation down to 4.8 kW
- Weather compensation kit option

RELIABLE

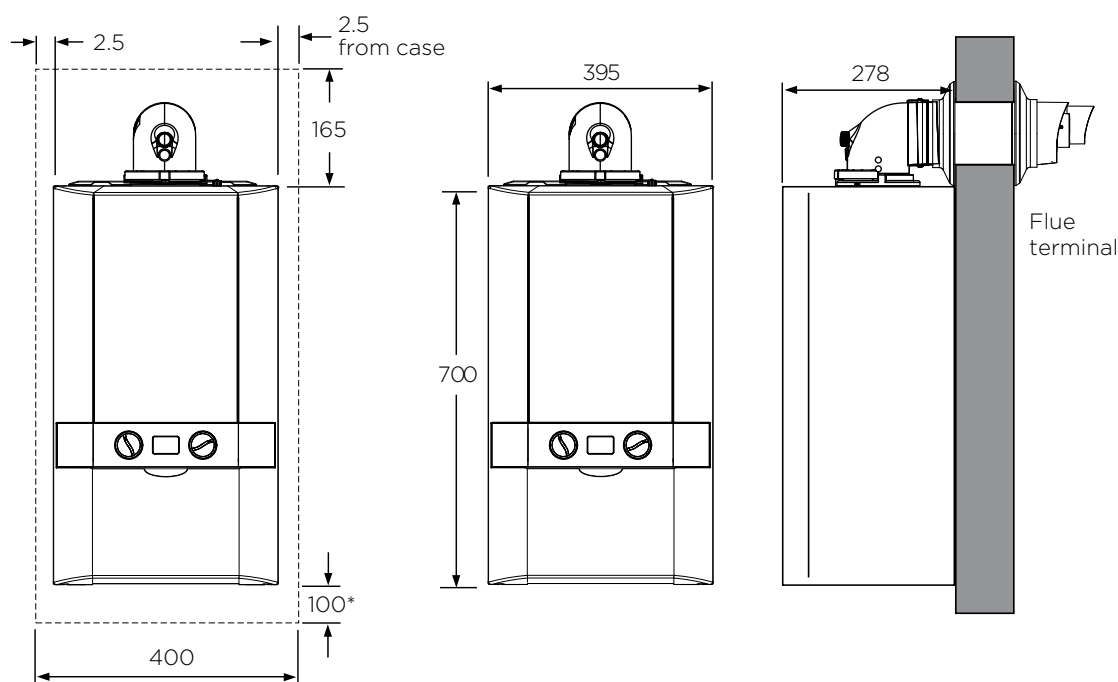
- Energy Saving Trust endorsed product
- 2 year parts and labour warranty
- Boiler frost protection
- Built-in condensate trap

EASY TO INSTALL

- Compact cupboard fit
- Wide range of flueing options
- Concealed pipe connections
- Low lift weight (28kg)[†]
- Preformed copper tails
- LPG Conversion kit available for 30 kW boilers
- Stand-off kit and pre-pipe options
- Pre-wired mains lead



CLEARANCES & DIMENSIONS.



Note: The minimum front clearance when built-in to a cupboard is 5mm from the cupboard door but 450mm overall clearance with the cupboard door open is required for servicing. *Bottom clearance after installation can be reduced to 5mm. However, 100mm is required for servicing.

FLUE LENGTHS.

	SYSTEM 15	SYSTEM 18	SYSTEM 24	SYSTEM 30
Max horizontal		9m		8m
Max vertical			7.5m	
Powered vertical			22m	

Available Kits High Level Flue Outlet Kit

TECHNICAL SPECIFICATIONS.

	SYSTEM 15	SYSTEM 18	SYSTEM 24	SYSTEM 30
Height mm		700		
Width mm		395		
Depth mm		278		
Weight (packaged) kg		34.4		
Max installation weight kg		28.0		
CH output (kW) min/max @ 70°C	4.8 - 15.0	4.8 - 18.0	4.8 - 24.2	6.1 - 30.3
CH output (kW) min/max @ 40°C	5.1 - 15.9	5.1 - 19.1	5.1 - 25.6	6.4 - 31.0
DHW output (kW) max		n/a		
DHW flow rate l/min. 35°C rise		n/a		
SEDBUK rating (2005) %	91.1	91	91	91.1
SEDBUK rating (2009) %	89.3	89.2	89.5	89.6
NOx classification		CLASS 5		
Adjustable to LPG	No	No	No	Yes