

DHW EXPANSION VESSEL KIT

These Instructions apply to the following boilers:

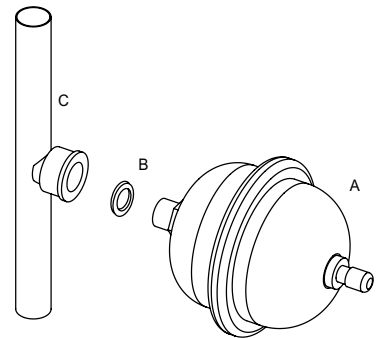
Logic Combi 24.....	G.C. No. 47-348-56	Logic + Combi 24	G.C. No. 47-348-65	Procombi Exclusive 24	G.C. No. 47-348-79
Logic Combi 30.....	G.C. No. 47-348-57	Logic + Combi 30	G.C. No. 47-348-66	Procombi Exclusive 30	G.C. No. 47-348-80
Logic Combi 35.....	G.C. No. 47-348-58	Logic + Combi 35	G.C. No. 47-348-67	Procombi Exclusive 35	G.C. No. 47-348-81
Logic Combi E24.....	G.C. No. 47-348-88	Independent C24.....	G.C. No. 47-348-68	icombi 24	G.C. No. 47-348-82
Logic Combi E30.....	G.C. No. 47-348-89	Independent C30.....	G.C. No. 47-348-69	icombi 30	G.C. No. 47-348-83
Logic Combi E35.....	G.C. No. 47-348-90	Independent C35.....	G.C. No. 47-348-70	icombi 35	G.C. No. 47-348-84
Logic Combi ES24.....	G.C. No. 47-349-01	Independent + C24.....	G.C. No. 47-348-85	Esprit eco 24.....	G.C. No. 47-348-91
Logic Combi ES30.....	G.C. No. 47-349-02	Independent + C30.....	G.C. No. 47-348-86	Esprit eco 30.....	G.C. No. 47-348-92
Logic Combi ES35.....	G.C. No. 47-349-03	Independent + C35.....	G.C. No. 47-348-87	Ideal Classic 24	G.C. No. 47-349-07
Logic Combi ESP24	G.C. No. 47-349-12	i-mini 24	G.C. No. 47-348-77	Ideal Classic 30	G.C. No. 47-349-08
Logic Combi ESP30	G.C. No. 47-349-13	i-mini 30	G.C. No. 47-348-78	Ideal Instinct 24	G.C. No. 47-349-09
Logic Combi ESP35	G.C. No. 47-349-14	Vogue c26.....	G.C. No. 47-348-99	Ideal Instinct 30	G.C. No. 47-349-10
Logic Code Combi 26	G.C. No. 47-348-74	Vogue c32.....	G.C. No. 47-348-98	Ideal Instinct 35	G.C. No. 47-349-11
Logic Code Combi 33	G.C. No. 47-348-75	Vogue c40.....	G.C. No. 47-348-97	Zanussi Ultra Combi 30.....	G.C. No. 47-002-01
Logic Code Combi 38	G.C. No. 47-348-76	Project System 15	G.C. No. 41-750-59	Zanussi Ultra Combi 35	G.C. No. 47-002-02
Logic Code Combi ES26	G.C. No. 47-349-04	Project System 24	G.C. No. 41-750-60	Zanussi Ultra System 15	G.C. No. 41-002-01
Logic Code Combi ES33	G.C. No. 47-349-05	Project Heat 15.....	G.C. No. 41-750-57	Zanussi Ultra System 18	G.C. No. 41-002-02
Logic Code Combi ES38	G.C. No. 47-349-06	Project Heat 24.....	G.C. No. 41-750-58	Zanussi Ultra System 24	G.C. No. 41-002-03
				Zanussi Ultra System 30	G.C. No. 41-002-04

These instructions must be read in conjunction with the Installation & Servicing Instructions supplied with the boiler.

If a non-return valve is fitted into the DHW cold water inlet, provision MUST be made to accommodate the expansion of DHW contained within the appliance.

KIT CONTENTS

- A. DHW Expansion Vessel
- B. Fibre Washer
- C. DHW Expansion Vessel Connector Pipe (G1/4 - 150mm long)
- D. These Instructions



INSTALLING THE DHW EXPANSION VESSEL

1. Solder DHW expansion vessel connector pipe to DHW cold inlet pipe (as close to boiler as possible),
2. Remove plastic cap from DHW expansion vessel thread and discard.
3. Using washer supplied screw DHW expansion vessel onto G1/4 connector.

DHW Expansion Vessel Notes

- Volume 160ml
- Max. operating pressure 15 bar
- Max. operating temperature 99°C
- Pre-charge pressure 3.5 bar

