

# + STAND-OFF KIT

When replacing any part on this appliance, use only spare parts that you can be assured conform to the safety and performance specification that we require. Do not use reconditioned or copy parts that have not been clearly authorised by Ideal.

**For the very latest copy of literature for specification and maintenance practices visit our website [www.idealboilers.com](http://www.idealboilers.com) where you can download the relevant information in PDF format.**

This kit is suitable for the following boilers:

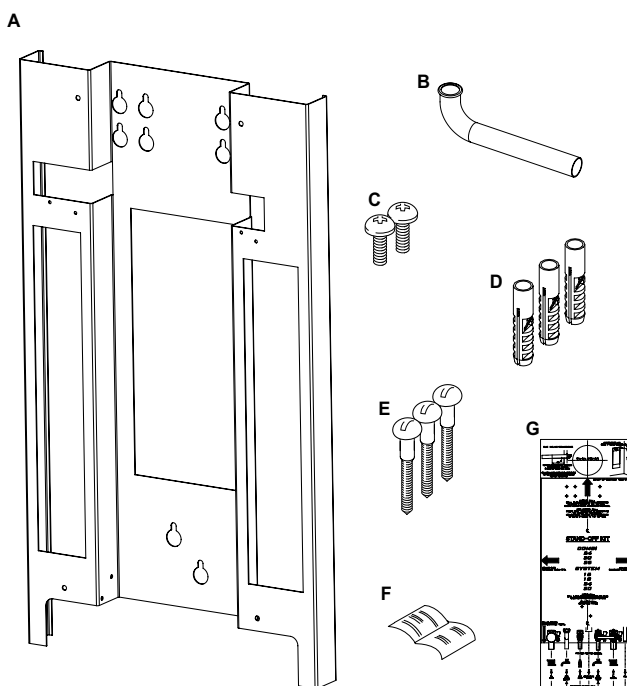
Logic Combi 24.....	GC No. 47-348-56	Logic + System 15.....	GC No. 41-750-29
Logic Combi 30.....	GC No. 47-348-57	Logic + System 18.....	GC No. 41-750-30
Logic Combi 35.....	GC No. 47-348-58	Logic + System 24.....	GC No. 41-750-31
Logic + Combi 24 .....	GC No. 47-348-65	Logic + System 30.....	GC No. 41-750-32
Logic + Combi 30 .....	GC No. 47-348-66	Logic System 15IE.....	GC No. 41-750-44
Logic + Combi 35 .....	GC No. 47-348-67	Logic System 18IE.....	GC No. 41-750-45
Logic Combi E24 .....	GC No. 47-348-88	Logic System 24IE.....	GC No. 41-750-46
Logic Combi E30 .....	GC No. 47-348-89	Logic System 30IE.....	GC No. 41-750-47
Logic Combi E35 .....	GC No. 47-348-90	i-mini 24 .....	GC No. 47-348-77
Logic Combi ES24.....	GC No. 47-349-01	i-mini 30 .....	GC No. 47-348-78
Logic Combi ES30.....	GC No. 47-349-02	Zanussi Ultra Combi 30 .....	Gc No 47-002-01
Logic Combi ES35.....	GC No. 47-349-03	Zanussi Ultra Combi 35 .....	Gc No 47-002-02
Logic Combi ESP24 .....	GC No. 47-349-12	Zanussi Ultra System 15 .....	Gc No 41-002-01
Logic Combi ESP30 .....	GC No. 47-349-13	Zanussi Ultra System 18 .....	Gc No 41-002-02
Logic Combi ESP35 .....	GC No. 47-349-14	Zanussi Ultra System 24 .....	Gc No 41-002-03
Logic System 15.....	GC No. 41-750-24	Zanussi Ultra System 30 .....	Gc No 41-002-04
Logic System 18.....	GC No. 41-750-25		
Logic System 24.....	GC No. 41-750-26		
Logic System 30.....	GC No. 41-750-27		

## INTRODUCTION

The Stand-off Kit is a separately supplied pack to facilitate upward routing of the system flow and return pipework and for combi only DHW pipework between the back of the boilers and the wall.

### 1 KIT CONTENTS

- A. Stand off Frame
- B. DHW 15mm outlet pipe (combi only)
- C. M6 x 10 PP Hd screws - 2 off
- D. Wall Plug - 3 off
- E. No. 10 x 50mm Wood Screw - 3 off
- F. Installation Instructions
- G. Wall Mounting Template



### 2 PREPARATION

Prepare the boiler for installation, according to the Installation & Servicing Instructions.

**Note.**

*If the side flue installation is being used particular attention should be given to the Installation & Servicing Instructions and the wall mounting template to ensure the flue hole is correctly located.*

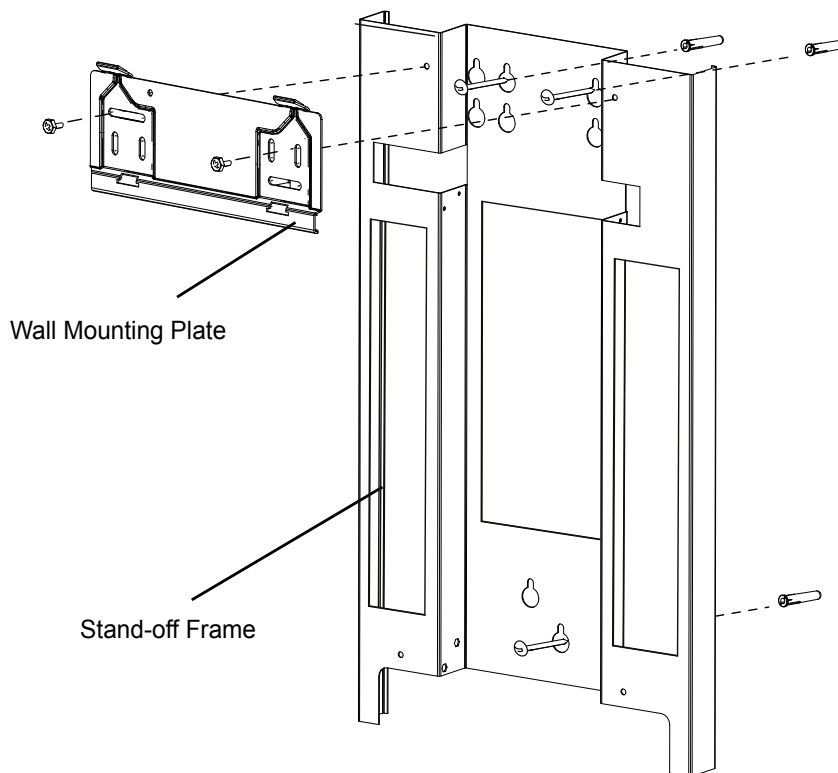
### 3 INSTALLATION

#### IMPORTANT.

When piping within the stand-off channel use 22mm copper pipe and not 28mm.

1. Use the wall mounting template to determine the correct positioning of the boiler and stand-off frame.
2. Drill three holes for fastening the stand-off frame as instructed on the template.
3. Insert wall plugs provided.
4. Screw the stand-off frame to the wall, using the screws provided.
5. Secure the boiler wall mounting plate to the stand-off frame using the 2 M6 screws.

6. Mount the boiler to the wall plate in accordance with the Installation & Servicing Instructions.
7. Discard all copper pipe tail hardware supplied in the boiler's hardware pack. When doing this take care to retain ball valves, seals and pipe nuts.
8. Fit isolating ball valves to the boiler in accordance with the Installation & Servicing Instructions ensuring all sealing washers are correctly placed.
9. Fabricate copper pipework to boiler service connections as follows. Pipework can be routed up and within pre-pipe frame as required. Care must be taken not to overheat any connecting ball valves or sealing washers.



**Boiler CH Flow & Return Connections** - Connect installer-fabricated pipes directly to 22mm compression fittings incorporated within isolation valves.

**DHW Inlet & Outlet Connections (Logic Combi & i-mini only - to be discarded for Logic System)** - connect to isolating ball valve and bulkhead connection using flanged 15mm copper connector tail provided with this stand-off kit. Use pipe nuts and sealing washers provided in the boiler's hardware pack. Connect installer-fabricated pipework to the connector tail of the DHW outlet and to the compression fitting on the cold in isolating valve.

**Gas Connection** - Connect installer-fabricated pipework directly to 15mm compression fitting incorporated on the gas connection isolation valve.

**Safety Valve Drain Connection** - Connect installer-fabricated pipework to safety valve connection stub.

### 4 FINALLY

1. Go to Flue Outlet section in the Installation and Servicing manual.
2. Complete the installation and commissioning of the boiler, according to the Installation & Servicing manual.

### **Technical Training**

The Ideal Technical Training Centre offers a series of first class training courses for domestic, commercial and industrial heating installers, engineers and system specifiers. For details of courses please ring:..... 01482 498 432

**Ideal Boilers Ltd.**, P.O. Box 103, National Ave, Kingston upon Hull, HU5 4JN. Telephone: 01482 492 251 Fax: 01482 448 858. Registration No. London 322 137.

**Ideal Boilers Ltd.**, pursues a policy of continuing improvement in the design and performance of its products. The right is therefore reserved to vary specification without notice.



***Installer Support Helpline: 01482 498663***