

+ RAISED HORIZONTAL FLUE KIT

When replacing any part on this appliance, use only spare parts that you can be assured conform to the safety and performance specification that we require. Do not use reconditioned or copy parts that have not been clearly authorised by Ideal.

For the very latest copy of literature for specification and maintenance practices visit our website www.idealboilers.com where you can download the relevant information in PDF format.

INTRODUCTION

This kit is suitable only for the domestic gas boilers listed below :

Logic Combi 24.....	G.C. No. 47-348-56	Logic + System 15.....	G.C. No. 41-750-29
Logic Combi 30.....	G.C. No. 47-348-57	Logic + System 18.....	G.C. No. 41-750-30
Logic Combi 35.....	G.C. No. 47-348-58	Logic + System 24.....	G.C. No. 41-750-31
Logic Combi E24.....	G.C. No. 47-348-88	Logic + System 30.....	G.C. No. 41-750-32
Logic Combi E30.....	G.C. No. 47-348-89	i-mini 24.....	G.C. No. 47-348-77
Logic Combi E35.....	G.C. No. 47-348-90	i-mini 30.....	G.C. No. 47-348-78
Logic + Combi 24.....	G.C. No. 47-348-65	Vogue c26.....	G.C. No. 47-348-99
Logic + Combi 30.....	G.C. No. 47-348-66	Vogue c32.....	G.C. No. 47-348-98
Logic + Combi 35.....	G.C. No. 47-348-67	Vogue c40.....	G.C. No. 47-348-97
Logic Code Combi 26.....	G.C. No. 47-348-74	Vogue s15.....	G.C. No. 41-750-56
Logic Code Combi 33.....	G.C. No. 47-348-75	Vogue s18.....	G.C. No. 41-750-55
Logic Code Combi 38.....	G.C. No. 47-348-76	Vogue s26.....	G.C. No. 41-750-54
Logic Code Combi ES26.....	G.C. No. 47-349-04	Vogue s32.....	G.C. No. 41-750-53
Logic Code Combi ES33.....	G.C. No. 47-349-05	Project System 15.....	G.C. No. 41-750-59
Logic Code Combi ES38.....	G.C. No. 47-349-06	Project System 24.....	G.C. No. 41-750-60
Logic Combi ES 24.....	G.C. No. 47-349-01	Project Heat 15.....	G.C. No. 41-750-57
Logic Combi ES 30.....	G.C. No. 47-349-02	Project Heat 24.....	G.C. No. 41-750-58
Logic Combi ES 35.....	G.C. No. 47-349-03	Procombi Exclusive 24.....	G.C. No. 47-348-79
Logic Combi ESP 24.....	G.C. No. 47-349-12	Procombi Exclusive 30.....	G.C. No. 47-348-80
Logic Combi ESP 30.....	G.C. No. 47-349-13	Procombi Exclusive 35.....	G.C. No. 47-348-81
Logic Combi ESP 35.....	G.C. No. 47-349-14	icombi 24.....	G.C. No. 47-348-82
Logic Heat 12.....	G.C. No. 47-399-99	icombi 30.....	G.C. No. 47-348-83
Logic Heat 15.....	G.C. No. 47-409-93	icombi 35.....	G.C. No. 47-348-84
Logic Heat 18.....	G.C. No. 47-409-94	Esprit eco 24.....	G.C. No. 47-348-91
Logic Heat 24.....	G.C. No. 47-409-95	Esprit eco 30.....	G.C. No. 47-348-92
Logic Heat 30.....	G.C. No. 47-409-96	Ideal Classic 24.....	G.C. No. 47-349-07
Logic + Heat 12.....	G.C. No. 47-409-97	Ideal Classic 30.....	G.C. No. 47-349-08
Logic + Heat 15.....	G.C. No. 47-409-98	Ideal Instinct 24.....	G.C. No. 47-349-09
Logic + Heat 18.....	G.C. No. 47-409-99	Ideal Instinct 30.....	G.C. No. 47-349-10
Logic + Heat 24.....	G.C. No. 47-750-21	Ideal Instinct 35.....	G.C. No. 47-349-11
Logic + Heat 30.....	G.C. No. 47-750-22	Zanussi Ultra Combi 30.....	G.C. No. 47-002-01
Logic System 15.....	G.C. No. 41-750-24	Zanussi Ultra Combi 35.....	G.C. No. 47-002-02
Logic System 18.....	G.C. No. 41-750-25	Zanussi Ultra System 15.....	G.C. No. 41-002-01
Logic System 24.....	G.C. No. 41-750-26	Zanussi Ultra System 18.....	G.C. No. 41-002-02
Logic System 30.....	G.C. No. 41-750-27	Zanussi Ultra System 24.....	G.C. No. 41-002-03
Logic System 15IE.....	G.C. No. 41-750-44	Zanussi Ultra System 30.....	G.C. No. 41-002-04
Logic System 18IE.....	G.C. No. 41-750-45		
Logic System 24IE.....	G.C. No. 41-750-46		
Logic System 30IE.....	G.C. No. 41-750-47		

These instructions must be read in conjunction with the Installation and Servicing Instructions supplied with the boiler.

This kit allows greater flexibility when siting the boiler, as vertical distances prior to the use of an elbow and the standard B Pack.

NOTE. ALWAYS CHECK FLUE INTEGRITY AFTER INSTALLATION

Notes.

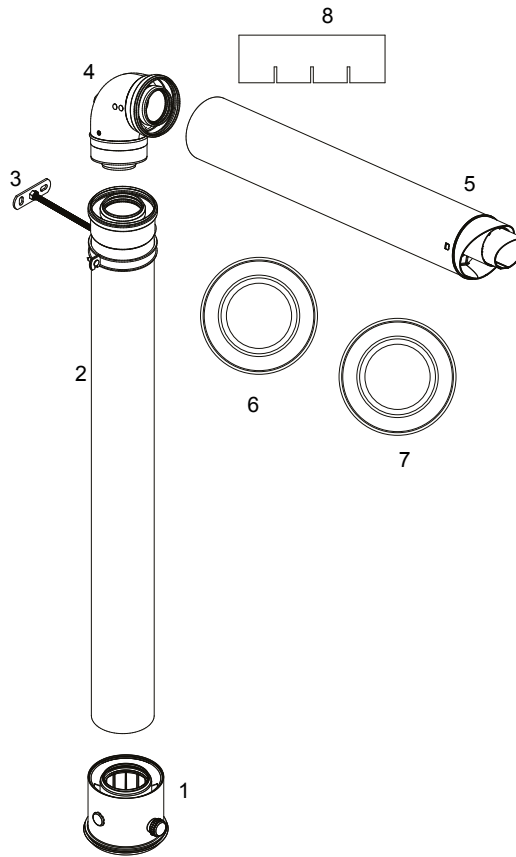
Turret sample points must be accessible for servicing.

Ensure termination nose is fitted as shown

1 UNPACKING

Unpack the kit and check the contents.

1. Vertical Connector - 1 off
2. 1 metre D Pack - 1 off
3. Pipe Clamp - 1 off
4. Flue Elbow - 1 off
5. Terminal Pack B - 1 off
6. Seal - Outer (Black) - 1 off
7. Seal - Inner (White) - 1 off
8. Cutting Aid - 1 off



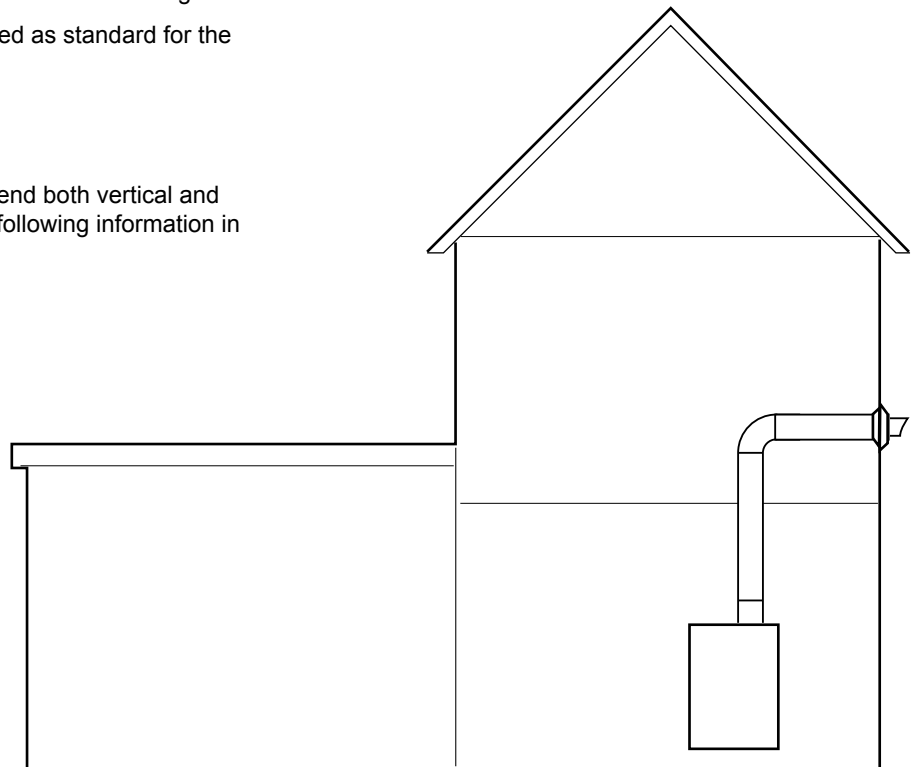
2 RAISED HORIZONTAL FLUE INTSTALLATION

A 1 metre long D Pack is supplied in the kit for the vertical length.

The horizontal flue terminal (600 lg) is supplied as standard for the horizontal length.

Accessories

Flue Duct Extension Kits are available to extend both vertical and horizontal runs. These must conform to the following information in Frame 3.

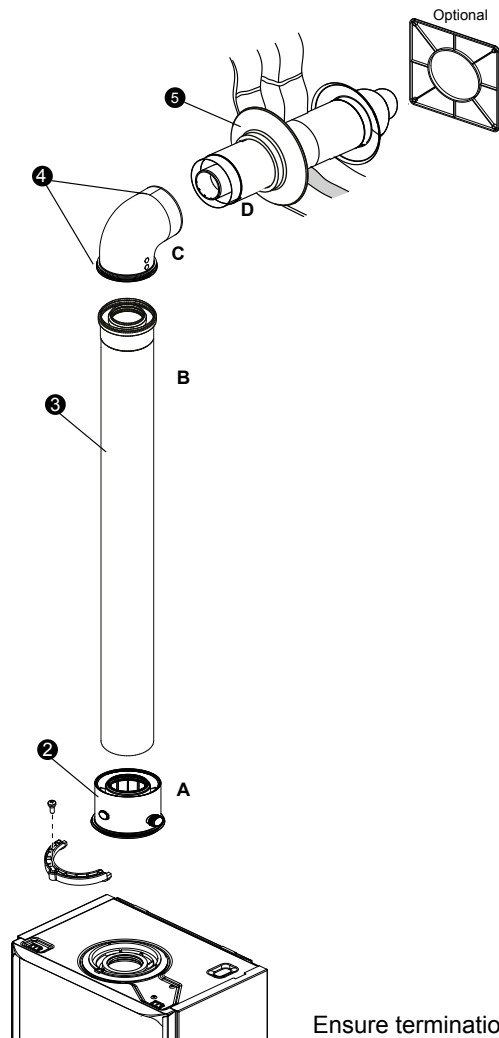


3 FITTING THE RAISED HORIZONTAL FLUE KIT

CONTENTS:

- A 60/100 Vertical Connector - 1 off
- B 60/100 1 metre D Pack - 1 off
- C 60/100 90° Elbow - 1 off
- D 60/100 Terminal Pack 'B'

Also if required optional
Flue finishing Kit (not supplied) - UIN 201181
Extra 60/100 1 metre D Packs - UIN 203129



Ensure termination nose is fitted as shown and sample points are accessible for servicing.

1. Determine the required boiler position and the position of the hole required in the wall for the flue (Refer to Boiler Installation & Servicing Instructions and wall mounting template for details).

The maximum length of combined vertical and horizontal flue pipe is as follows:

(DIMENSION X + Y MUST NOT EXCEED THE DIMENSIONS SHOWN BELOW)

10 m - All Vogue 15kW-26kW boilers

9 m - All Logic, i-mini, Ideal Classic, Procombi, icombi, Esprit eco, Ideal Instinct & Zanussi Ultra 12kW-24kW boilers

8 m - All Logic, i-mini 30-33kW, Ideal Classic, Procombi, icombi, Esprit eco, Ideal Instinct, Vogue & Zanussi Ultra 32kW-40kW boilers

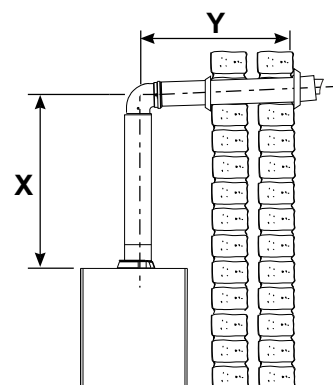
6 m - All Logic, Ideal Classic, Procombi, icombi, Ideal Instinct & Zanussi Ultra 35kW-38kW boilers

THE MINIMUM VERTICAL LENGTH (X) ALLOWED IS 0.5 M.

2. Push fit the vertical connector (A) into the boiler flue connection and retain with retention flange supplied with the boiler and secure with screw ensuring the sample point is accessible, also ensure sample plugs are fitted.
3. Push fit the extension duct (B) into the vertical connector.
4. Push fit the 90° elbow (C) into the extension duct.
5. Fit the terminal pack 'B', extension duct 'D' and fit sealing collars in accordance with the boiler Installation & Servicing Instructions.

Note.

The flue duct MUST be inclined at 1.5 degrees to the horizontal to allow condensate to drain back into the boiler and out through the condensate drain.



Ideal Boilers Ltd., P.O. Box 103, National Ave., Kingston upon Hull, HU5 4JN. Telephone: 01482 492 251 Fax: 01482 448 858. Registration No. London 322 137.

Ideal Boilers Ltd., pursues a policy of continuing improvement in the design and performance of its products. The right is therefore reserved to vary specification without notice.



Installer Support Helpline Tel: 01482 498663

www.idealboilers.com