

# + BALCONY FLUE OUTLET KIT

When replacing any part on this appliance, use only spare parts that you can be assured conform to the safety and performance specification that we require. Do not use reconditioned or copy parts that have not been clearly authorised by Ideal.

**For the very latest copy of literature for specification and maintenance practices visit our website [www.idealboilers.com](http://www.idealboilers.com) where you can download the relevant information in PDF format.**

## INTRODUCTION

This kit is suitable only for the domestic gas boilers listed below :

Logic Combi 24.....	G.C. No. 47-348-56	Logic Code Combi 26.....	G.C. No. 47-348-74
Logic Combi 30.....	G.C. No. 47-348-57	Logic Code Combi 33.....	G.C. No. 47-348-75
Logic Combi 35.....	G.C. No. 47-348-58	Logic Code Combi 38.....	G.C. No. 47-348-76
Logic Combi E24.....	G.C. No. 47-348-88	Logic Code Combi ES26.....	G.C. No. 47-349-04
Logic Combi E30.....	G.C. No. 47-348-89	Logic Code Combi ES33.....	G.C. No. 47-349-05
Logic Combi E35.....	G.C. No. 47-348-90	Logic Code Combi ES38.....	G.C. No. 47-349-06
Logic Combi ES24.....	G.C. No. 47-349-01	i-mini 24.....	G.C. No. 47-348-77
Logic Combi ES30.....	G.C. No. 47-349-02	i-mini 30.....	G.C. No. 47-348-78
Logic Combi ES35.....	G.C. No. 47-349-03	Vogue c26.....	G.C. No. 47-348-99
Logic Combi ESP 24.....	G.C. No. 47-349-12	Vogue c32.....	G.C. No. 47-348-98
Logic Combi ESP 30.....	G.C. No. 47-349-13	Vogue c40.....	G.C. No. 47-348-97
Logic Combi ESP 35.....	G.C. No. 47-349-14	Vogue s15.....	G.C. No. 41-750-56
Logic + Combi 24.....	G.C. No. 47-348-65	Vogue s18.....	G.C. No. 41-750-55
Logic + Combi 30.....	G.C. No. 47-348-66	Vogue s26.....	G.C. No. 41-750-54
Logic + Combi 35.....	G.C. No. 47-348-67	Vogue s32.....	G.C. No. 41-750-53
Logic System 15.....	G.C. No. 41-750-24	Project System 15.....	G.C. No. 41-750-59
Logic System 18.....	G.C. No. 41-750-25	Project System 24.....	G.C. No. 41-750-60
Logic System 24.....	G.C. No. 41-750-26	Project Heat 15.....	G.C. No. 41-750-57
Logic System 30.....	G.C. No. 41-750-27	Project Heat 24.....	G.C. No. 41-750-58
Logic System 15IE.....	G.C. No. 41-750-44	Procombi Exclusive 24.....	G.C. No. 47-348-79
Logic System 18IE.....	G.C. No. 41-750-45	Procombi Exclusive 30.....	G.C. No. 47-348-80
Logic System 24IE.....	G.C. No. 41-750-46	icombi 24.....	G.C. No. 47-348-82
Logic System 30IE.....	G.C. No. 41-750-47	icombi 30.....	G.C. No. 47-348-83
Logic + System 15.....	G.C. No. 41-750-29	icombi 35.....	G.C. No. 47-348-84
Logic + System 18.....	G.C. No. 41-750-30	Esprit eco 24.....	G.C. No. 47-348-91
Logic + System 24.....	G.C. No. 41-750-31	Esprit eco 30.....	G.C. No. 47-348-92
Logic + System 30.....	G.C. No. 41-750-32	Ideal Classic 24.....	G.C. No. 47-349-07
Logic Heat 12.....	G.C. No. 41-399-99	Ideal Classic 30.....	G.C. No. 47-349-08
Logic Heat 15.....	G.C. No. 41-409-93	Ideal Instinct 24.....	G.C. No. 47-349-09
Logic Heat 18.....	G.C. No. 41-409-94	Ideal Instinct 30.....	G.C. No. 47-349-10
Logic Heat 24.....	G.C. No. 41-409-95	Ideal Instinct 35.....	G.C. No. 47-349-11
Logic Heat 30.....	G.C. No. 41-409-96	Zanussi Ultra Combi 30.....	G.C. No. 47-002-01
Logic + Heat 12.....	G.C. No. 41-409-97	Zanussi Ultra Combi 35.....	G.C. No. 47-002-02
Logic + Heat 15.....	G.C. No. 41-409-98	Zanussi Ultra System 15.....	G.C. No. 41-002-01
Logic + Heat 18.....	G.C. No. 41-409-99	Zanussi Ultra System 18.....	G.C. No. 41-002-02
Logic + Heat 24.....	G.C. No. 41-750-21	Zanussi Ultra System 24.....	G.C. No. 41-002-03
Logic + Heat 30.....	G.C. No. 41-750-22	Zanussi Ultra System 30.....	G.C. No. 41-002-04

These instructions must be read in conjunction with the Installation and Servicing Instructions supplied with the boiler.

This kit allows the boiler flue outlet to be externally extended vertically or horizontally to ensure the flue product exit from the boiler is at a high level to overcome the problems associated with plume emission on balconies.

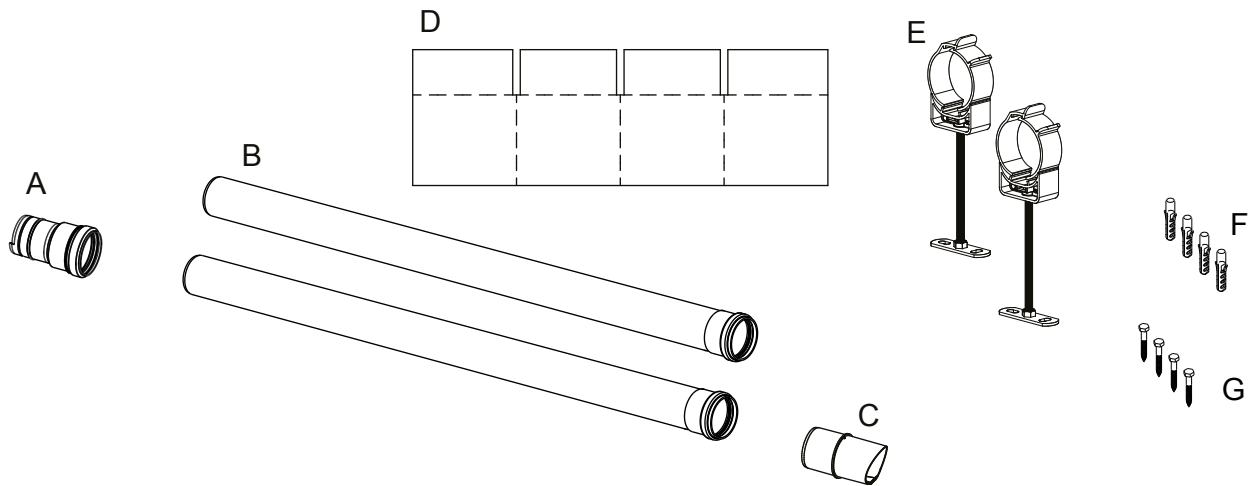
**This kit is NOT suitable for Heat 50/80 rear flue outlet.**

**NOTE. ALWAYS CHECK FLUE INTEGRITY AFTER INSTALLATION**

# 1 UNPACKING

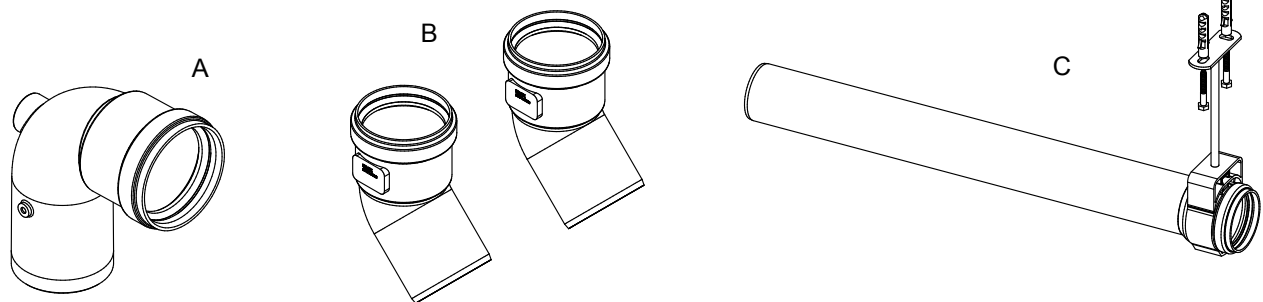
Unpack the kit and check the contents.

- A Adaptor - 1 off
- B Flue Extension 60 dia - 2 off
- C Flue Outlet 60 dia - 1 off
- D Cutting Aid - 1 off
- E Wall Bracket - 2 off
- F Wall Plugs - 4 off
- G Screws - 4 off



# 2 OPTIONAL EXTRAS (not provided with Balcony Flue Outlet Kit)

- A. 60mm 90° Elbow kit (UIN 203229) - 1 off
- B. 60mm 45° Elbow kit (UIN 203230) - 2 off
- C. 60mm x 1M Flue outlet extension pipe (UIN 203228) - 1 off



### 3 BALCONY OUTLET TERMINAL SITING

#### IMPORTANT.

For stated clearances for the flue outlet terminal in relation to openings, air inlet etc., refer to the Flue Installation section of the boiler Installation Instructions.

The minimum siting dimensions for the terminal positions, A, B, C stated can be applied when a balcony flue outlet kit is fitted.

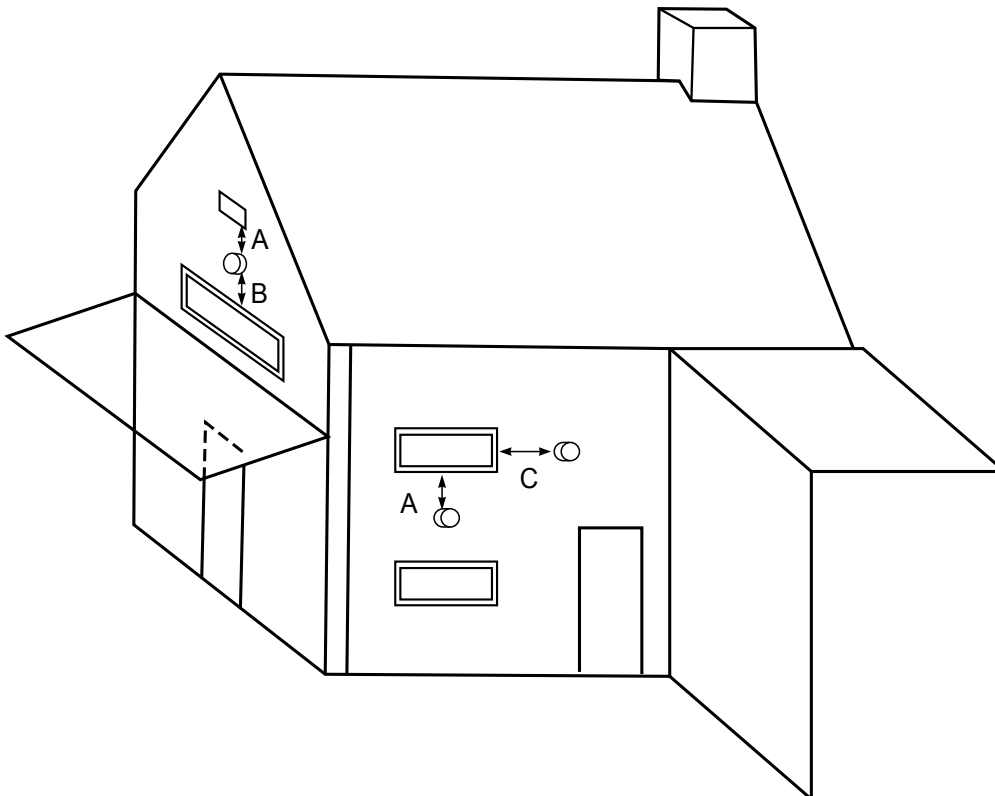
#### MINIMUM SITING DIMENSIONS FOR FANNED FLUE TERMINALS

##### Minimum Siting For Air Inlet

- A. Directly below an opening, air brick, opening windows etc. 150mm
- B. Directly above an opening, air brick, opening windows etc. 300mm
- C. Horizontally to an opening air brick, opening windows etc. 150mm

##### Minimum Siting For Flue Outlet

- A. Directly below an opening, air brick, opening windows (Horizontal Discharge). 300 mm
- B. Directly above an opening, air brick, opening windows (Horizontal Discharge). 300 mm
- C. Horizontally to an opening air brick, opening windows etc. 300 mm



#### Note.

The flue outlet termination should not be installed less than 2 metres above ground level.

For further guidance on siting requirements please consult BS 5440-1 : Table C.1 and Fig C. 2.

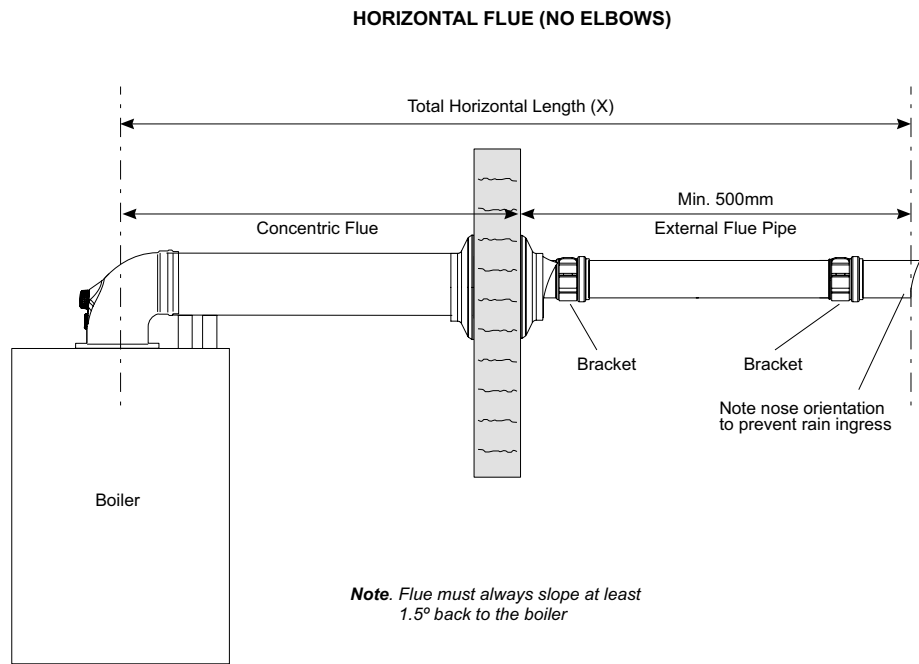
## 4 FLUING OPTIONS

Refer to Frame 5 for details of elbow resistance and maximum allowable flue graph.

### IMPORTANT NOTES

1. The concentric flue terminal must be fitted in accordance to the boiler instruction to prevent rain ingress.
2. The flue and air terminals must be separated by a minimum of 500mm.
3. Flue outlet must be terminated in the position shown.

**Note.** Only use water as a lubricant during assembly. Do not use mineral based oils.

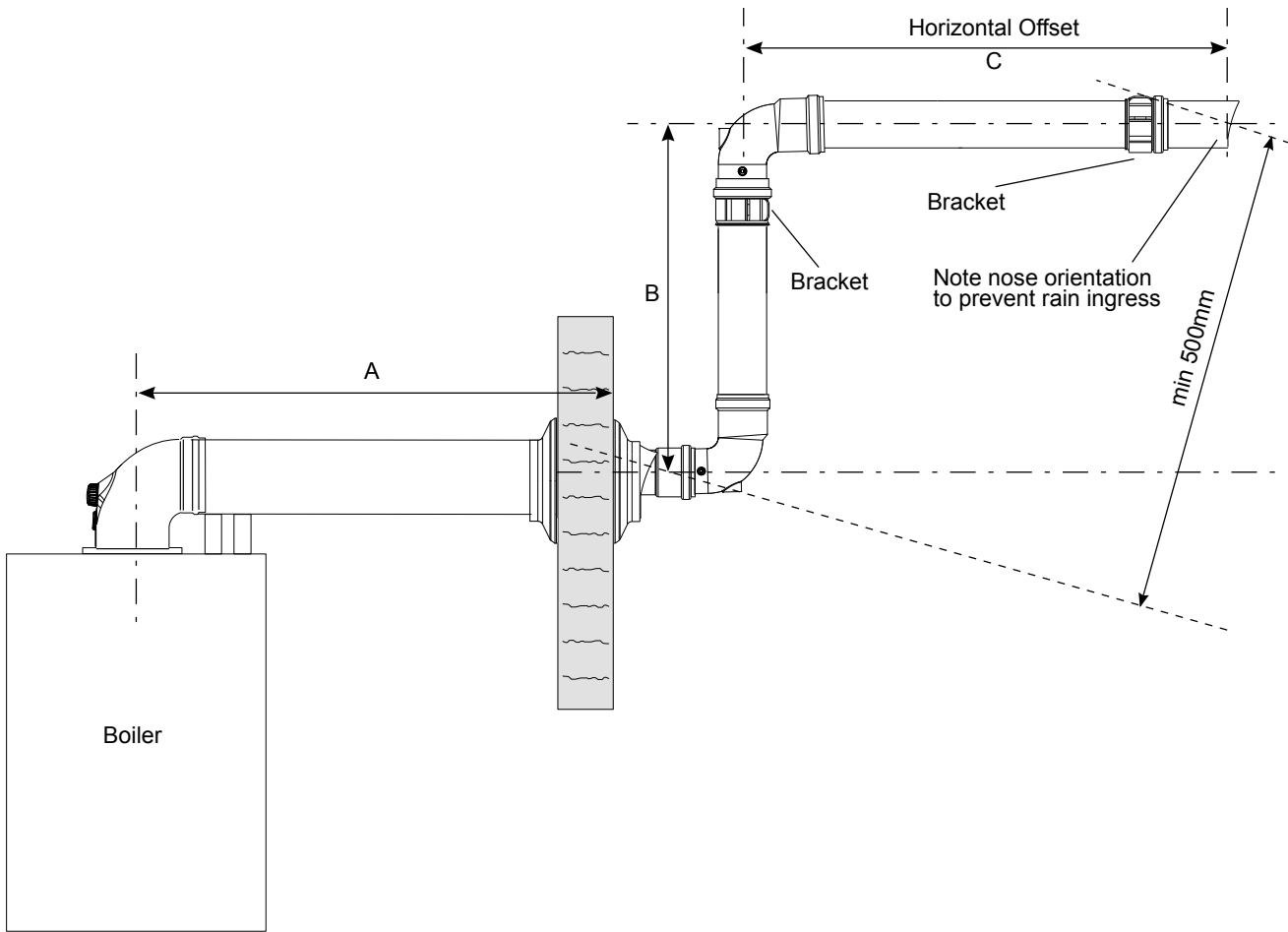


**Total Horizontal Length (X) Concentric + External Flue Pipe**

Appliance Type	Max Length
Logic Combi 35, Logic Combi E35, Logic Combi ES35, Logic Combi ESP35, Logic + Combi 35 Logic Code Combi 38, Logic Code Combi ES 38, Procombi 35 icombi 35, Ideal Instinct 35, Zanussi Ultra Combi 35	6m
Logic Combi 30, Logic Combi E30 Logic Combi ES30, Logic Combi ESP30, Logic + Combi 30 Logic System 30, Logic System 30IE Logic + System 30, Logic Heat 30, Logic + Heat 30 Logic Code Combi 33, Logic Code Combi ES33 Procombi 30 icombi 30 Esprit eco 30 Ideal Classic 30 i-mini 30 Vogue System 32 Vogue Combi 32, Vogue Combi 40 Ideal Instinct 30 Zanussi Ultra Combi 30, Zanussi Ultra System 30	8m
Logic Combi 24, Logic Combi E24 Logic Combi ES24, Logic Combi ESP24, Logic + Combi 24 Logic Code Combi 26, Logic Code Comb ES26 i-mini 24 Logic System 24, Logic System 18 Logic System 15, Logic System 24IE Logic system 18IE, Logic System 15IE Logic + System 24, Logic + System 18 Logic + System 15, Logic Heat 24, Logic Heat 18 Logic Heat 15, Logic Heat 12 Logic + Heat 24, Logic + Heat 18 Logic + Heat 15, Logic + Heat 12 Procombi 24, icombi 24, Esprit eco 24, Ideal Classic 24 Project System 24, Project System 15 Project Heat 24, Project Heat 15 Ideal Instinct 24 Zanussi Ultra System 15, 18, 24	9m
Vogue Combi 26 Vogue System 15 Vogue System 18 Vogue System 26	10m

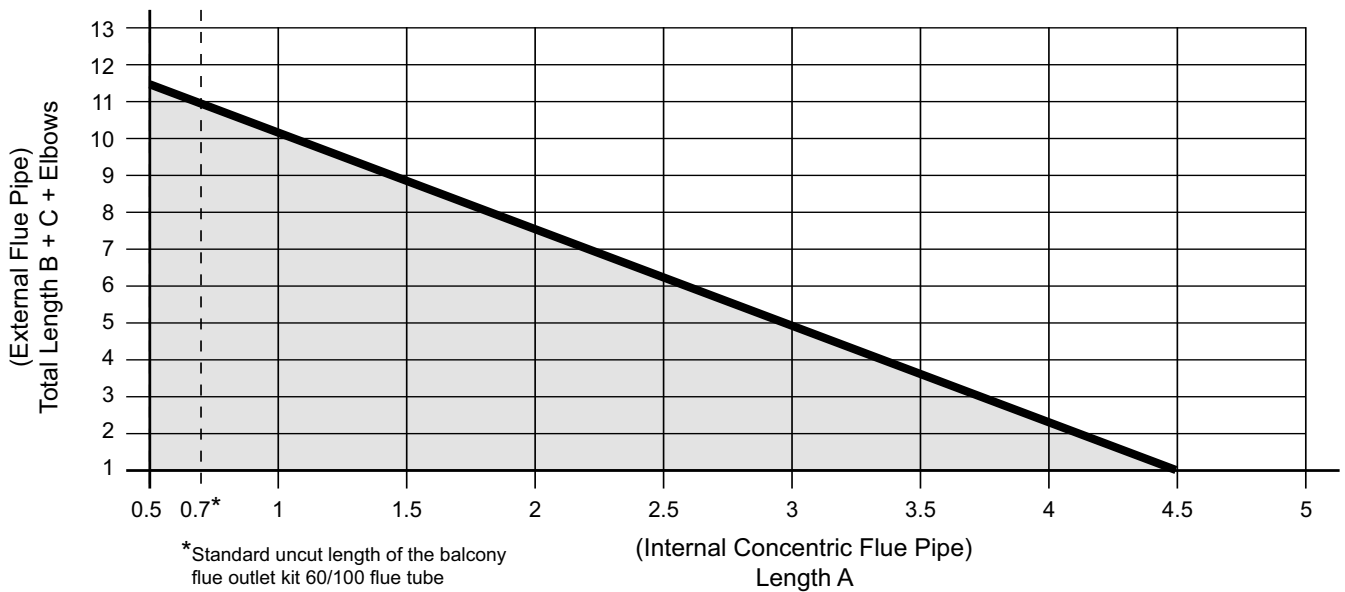
# 5 HORIZONTAL OFFSET

## HORIZONTAL OFFSET

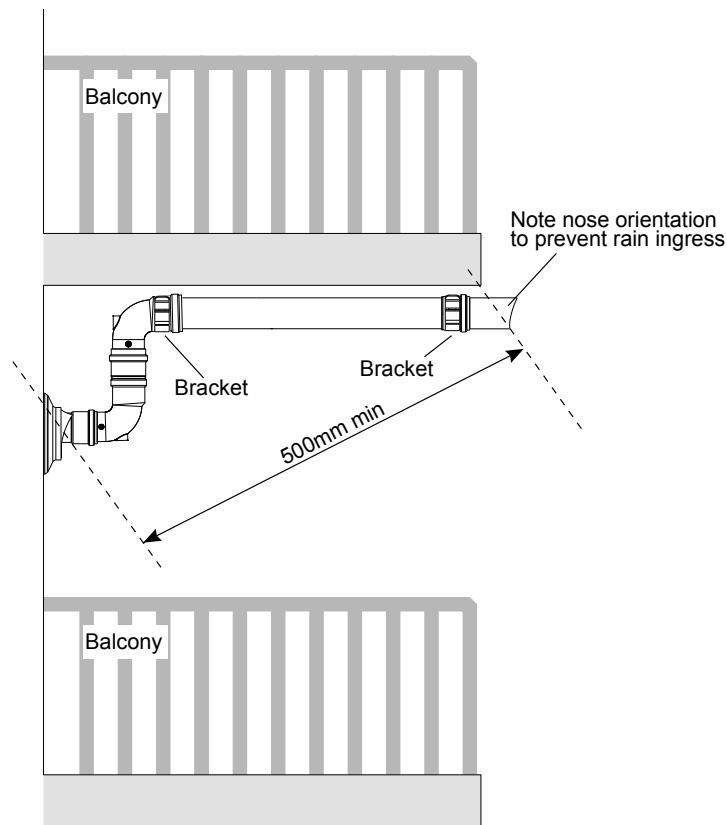


**Note.**

When using the balcony flue outlet kit the horizontal concentric (A) and the external flue (B + C + elbows) lengths quoted in the graph replaces the flue length information contained in the boiler installation instructions. However if concentric elbows are used, the equivalent length given in the installation instructions must be taken into account when calculating dimension A.



## 6 BALCONY FLUE OUTLET KIT FITTING



### Note.

The balcony pack can be fitted to the standard 'B' pack with the internal air inlet that has the removable flue outlet nose.

1. Follow the boiler installation instructions for boiler, turret and flue fitting and these flue kit instructions for the installation of this flue kit.
2. Using the graph in Frame 5 determine the internal concentric and total external flue extension allowed, taking into account the equivalent lengths of any elbows used.

### Note - External Flue Pipe

A 90° elbow (60mm dia) is equivalent to 1.4m of straight flue.

A 45° elbow (60mm dia) is equivalent to 1.25m of straight flue.

3. To remove the outlet terminal nose, grip the outer flue terminal, then using the other hand grip the nose section firmly and twist whilst pulling the nose section out. Note; If unable to remove, grip the top of the nose section firmly with a pair of pliers and pull the nose out. Take care not to damage the flue terminal. Ensure that all flue joints are maintained and the flue integrity has not been compromised.
4. Push fit terminal adaptor into terminal ensuring the correct engagement of the location system and seal. (Note the 2 small engagement dimples on each side of the adaptor must be inline with the mounting face of the terminal.)
5. Push fit the required extension pipe(s) (UIN 203228), 90° elbows (UIN 203229) or 45° elbows (UIN 203230) to the height determined from the graph ensuring brackets are mounted correctly. Finally insert the outlet terminal as shown to prevent rain ingress.
6. Secure the extension pipe to the wall with the bracket provided.

### NOTES.

- A terminal guard is not required at the air inlet position.
- Flue and air terminals must be separated by a minimum of 500mm.

**Ideal Boilers Ltd.**, P.O. Box 103, National Ave., Kingston upon Hull, HU5 4JN. Telephone: 01482 492 251 Fax: 01482 448 858. Registration No. London 322 137.

**Ideal Boilers Ltd.**, pursues a policy of continuing improvement in the design and performance of its products. The right is therefore reserved to vary specification without notice.



***Installer Support Helpline Tel: 01482 498663***

***www.idealboilers.com***