

# users guide

## Mexico Slimline

Your Ideal users guide

See reverse for **Mexico Slimline**  
installation & servicing instructions

**CF440**

When replacing a part on this appliance use only spare parts that you can be assured conform to the safety and performance specification that we require. Do not use reconditioned or copy parts that have not been clearly authorised by Ideal Boilers.

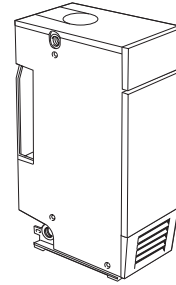
**i** BOILERS **Ideal**  
**ENGINEERED FOR PEACE OF MIND**

## Mexico Slimline (Natural Gas Models Only)

Mexico Slimline CF440 ..... 41 392 89

Certified - P.I. No. CF.....87 AT 15

Destination Countries: GB, IE



### INTRODUCTION

It is essential that the instructions in this booklet are strictly followed, for safe and economical operation of the boiler.

### Current Gas Safety (Installation & Use) Regulations or rules in force.

In your own interest, and that of safety, it is the law that this boiler must be installed by a CORGI registered installer or in IE a competent person, in accordance with the above regulations.

### Electricity Supply

**This appliance must be efficiently earthed.**

Supply: 230 V ~ 50 Hz. The fusing should be 3A.

Connection must be made in a way that allows complete isolation of the electrical supply such as a double pole switch having a 3mm (1/8") contact separation in both poles, or a plug and socket, serving only the boiler and system controls. The means of isolation must be accessible to the user after installation.

### IMPORTANT NOTES

- If the boiler is installed in a compartment then the compartment **MUST NOT** be used for storage purposes.
- The ventilation provided for the boiler during installation **MUST NOT** be blocked, and a check should be made periodically that the ventilation areas are free from any obstruction.
- If it is known or suspected that a fault exists on the boiler then it **MUST NOT** be used until the fault has been corrected by a CORGI registered installer or in IE a competent person.
- Inflammable materials must not be placed in close proximity to the appliance. Materials giving off flammable vapours must not be stored in the same room as the appliance.

- Under **NO** circumstances should any of the sealed components on this appliance be used incorrectly or tampered with.

### TTB Downdraught Thermostat (CF boilers only)

This appliance is fitted with a TTB downdraught thermostat for added safety and protection. If this thermostat should operate and switch off the appliance it is because the flue is subject to downdraught, probably as a result of adverse wind conditions.

The TTB is an automatic reset thermostat which will reset once wind conditions have returned to normal, subject to a built-in reset delay in excess of 10 minutes.

*The TTB is an IMPORTANT SAFETY DEVICE and MUST NOT be put out of action or interfered with in any way.*

*The TTB is not a substitute for an independently mounted carbon monoxide detector.*

In cases of repeated or continuous shutdown a CORGI registered person or in IE a competent person should be called to investigate and rectify the condition causing this. Only the manufacturer's original parts should be used for replacement.

### Minimum Clearances

A clearance of 533mm (21") **MUST** be available at the front of the boiler for servicing.

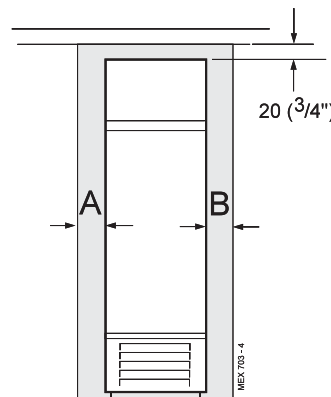
The minimum clearances given in Table 1 **MUST** be complied with, in order to maintain the safe running of the boiler.

## 1 BOILER CLEARANCES

Table 1

Boiler	Minimum A or B mm (ins.)	Minimum A + B mm (ins.)
CF440	25 (1)	100 (4)

Dimensions in mm (in.)



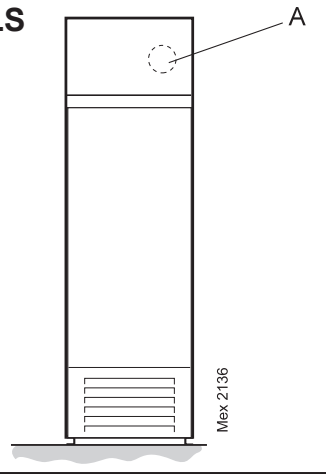
**CAUTION.** To avoid the possibility of injury during the installation, servicing or cleaning of this appliance care should be taken when handling edges of sheet steel components

## 2 BOILER CONTROLS

RS boiler shown

### LEGEND

A Boiler thermostat knob



### To Light the Boiler Refer to Frame 2

If a programmer is fitted refer to separate instructions for the programmer before continuing.

1. Check that the electricity supply to the boiler is OFF.
2. Open the control panel drop-down door and ensure that the thermostat knob (A) is in the OFF position.
3. Switch ON the electricity supply to the boiler and check that all external controls, e.g. room thermostat etc., are ON.
4. Set the boiler thermostat knob (A) to position 6. The pilot solenoid valve should open and the intermittent spark commence, continuing until the pilot is established. The main burner will then cross-light smoothly.

**Winter conditions (i.e. central heating and domestic hot water).** The thermostat should be positioned at setting 5 or 6.

**Summer conditions (i.e. domestic hot water only).** The thermostat should be positioned at setting 2.

These settings are offered for general guidance only and other settings may be found preferable, dependent upon the type of system installed or as recommended by the installer.

### To Shut Down the Boiler

#### 1. For short periods

Turn the boiler thermostat knob (A) to OFF. When heating is again required, restore the knob to its original setting.

#### 2. For longer periods

- a. Turn the boiler thermostat knob (A) to OFF.
- b. Switch the electricity supply to OFF.

### Frost Protection

If no frost protection is provided and frost is likely during a short absence from home, leave the heating controls (if fitted) at a reduced temperature setting.

For longer periods, the entire system should be drained - including the domestic water supply.

If the system includes a frost thermostat then, during cold weather, the boiler should be turned OFF at the time switch (if fitted) ONLY. The mains supply should be left switched ON, with the boiler thermostat left in the normal running position.

### Control of Water Temperature

1. Set the boiler thermostat knob (A) to give the required temperature for central heating.
2. The boiler thermostat automatically switches the boiler OFF and ON to maintain the selected temperature.

### To Relight the Boiler

Repeat the procedure 1 - 4 detailed in 'To light the boiler'.

### Boiler Overheat Thermostat

The boiler is fitted with a safety 'cutout' thermostat: this thermostat will shut down the boiler in the event of overheating. Should this occur turn off the boiler and consult a CORGI registered installer or in IE a competent person.

### Loss of System Water Pressure (Boilers fitted with the Overheat Thermostat Kit only)

If the red arrow on the system pressure gauge is set above zero and the system pressure is seen to fall below this value over a period of time then a water leak is indicated. In this event a CORGI registered installer or in IE a competent person should be consulted.

**DO NOT FIRE THE BOILER IF THE PRESSURE HAS REDUCED TO ZERO FROM THE ORIGINAL SETTING**

### Escape of Gas

Should a gas leak or fault be suspected, contact your gas supplier *without delay*.

**Do NOT search for gas leaks with a naked flame.**

### Cleaning

For normal cleaning simply dust with a dry cloth.

To remove stubborn marks and stains, wipe with a damp cloth and finish off with a dry cloth.

**Do NOT use abrasive cleaning materials.**

### Maintenance

The appliance should be serviced at least once a year by a CORGI registered installer or in IE a competent person.

#### Note.

*The appliance model is given on the data plate, located on the front of the boiler base plate, behind the grille assembly.*

All CORGI registered installers carry a CORGI ID card, and have a registration number. Both should be recorded in your **Benchmark** Log Book. You can check your installer by calling CORGI direct on 01563 72300

Caradon Ideal Limited is a member of the Benchmark initiative and fully supports the aims of the programme. Benchmark has been introduced to improve the standards of installation and commissioning of central heating systems in the UK and to encourage the regular servicing of all central heating systems to ensure safety and efficiency.



**THE LOG BOOK SHOULD BE COMPLETED AFTER EACH SERVICE AND KEPT WITH THESE INSTRUCTIONS**

## POINTS FOR THE BOILER USER

**Note.** In line with our current warranty policy we would ask that you check through the following guide to identify any problems external to the boiler prior to requesting a service engineers visit. Should the problem be found to be other than with the appliance we reserve the right to levy a charge for the visit, or for any pre-arranged visit where access is not gained by the engineer.

### TROUBLESHOOTING - TYPICAL NON PRODUCT FAULTS

Problem	Solution
Boiler is not working for central heating or hot water.	<ul style="list-style-type: none"> <li>• Check boiler thermostat (G) is turned up.</li> <li>• Check the overheat thermostat reset button (J) by holding button in for 2 seconds and then releasing.</li> <li>• If fitted to a sealed system check the pressure gauge on the system, this should read a minimum of 1 bar. If necessary re-pressurise the system via the filling loop. Press the overheat thermostat reset button (J). If the boiler still does not fire or if the pressure continues to drop after refilling contact the installer.</li> <li>• Has there previously been a smell of fumes from the flue ? It is likely that the downdraught thermostat has operated due to the combustion gases not being evacuated from the flue. Contact your installer to check the flue is operating correctly and not blocked etc.</li> </ul>
Boiler goes through ignition sequence but fails to light in either mode.	<ul style="list-style-type: none"> <li>• Check gas supply (try at another gas appliance cooker/fire etc) If no gas supply then this is not a boiler fault – contact your gas supplier.</li> </ul>
Boiler is operating satisfactorily for domestic hot water but will not operate for central heating.	<ul style="list-style-type: none"> <li>• If an external programmer is fitted check that the central heating channel is at an 'on' period.</li> <li>• Check that the room thermostat is set at the required temperature. Test the room thermostat by turning this fully up – if this does not respond contact your installer.</li> </ul>
Boiler is operating satisfactorily for central heating but will not operate for domestic hot water.	<ul style="list-style-type: none"> <li>• If an external programmer is fitted check that the domestic hot water channel is at an 'on' period.</li> <li>• Check that the domestic hot water cylinder thermostat is set at the required temperature. Test the cylinder thermostat by turning this fully up – if this does not respond contact your installer.</li> </ul>
Boiler will not fire the pilot light is lit but the igniter continues to spark and the main burner does not ignite.	<ul style="list-style-type: none"> <li>• This is a symptom of crossed polarity i.e. the live and neutral supply to the boiler are crossed over. This is not a boiler fault contact your installer to correct the wiring.</li> </ul>